

Motorized Curtain Track

NBT72TS- 1.2/14,NBT360S-75/20 (Automation)



- Curtain motor with silent motor and specialized Track.
- Pull to start feature.
- Enables opening/closing of curtains without using any switch operations.
- Corresponds to the Dry or Wet Contact.
- Compatible with any Home Automation.
- Electronic limit for ease of setting.
- Highly durable motor.

NBT CURTAIN MOTOR (Automation)

NBT Curtain Motor Unique features



NBT72TS - 1.2/14



NBT360S - 75/20

Feature 1: Motor for home automation.
Motor suitable for any Home Automation system.

Feature 2: Silent operation with specialized track.
The specialised track & motor enable a silent operation.

Feature 3: Pull to start.
The operation starts with a slight tug of the curtain.
NBT72TS - 1.2/14



Feature 4: Memorized Setting.
Limit memorized after power off.

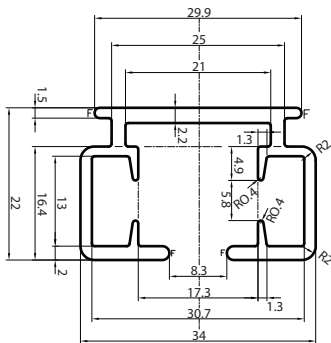
Feature 5: Extremely durable and sturdy motor.
The curtain motor is extremely durable.

Feature 6: Electronic Limit.
Electronic limit for easy of limit setting.

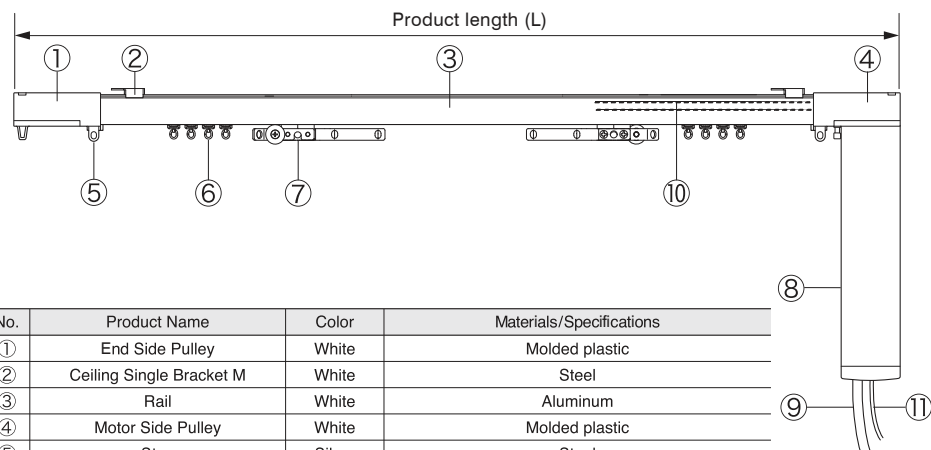
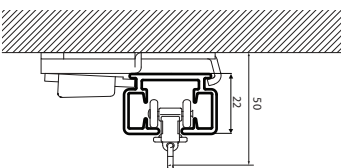
Feature 7: Dry and Wet contact
NBT Motor can be operated by dry (Low voltage) and wet (high voltage) contact.

Product Overall View and names of Parts

Rail Cross Section

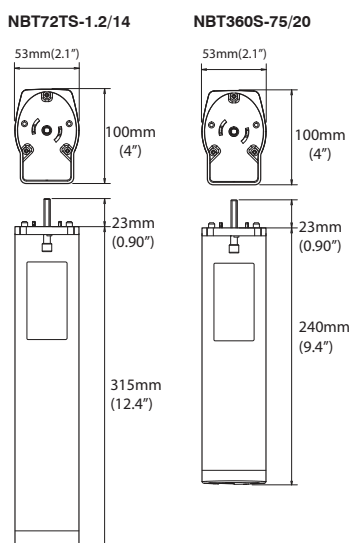


Installation Dimensions



No.	Product Name	Color	Materials/Specifications
①	End Side Pulley	White	Molded plastic
②	Ceiling Single Bracket M	White	Steel
③	Rail	White	Aluminum
④	Motor Side Pulley	White	Molded plastic
⑤	Stop	Silver	Steel
⑥	Noiseless Roller	Natural	Molded plastic
⑦	Pilot Roller Set	Silver	Steel, Molded plastic
⑧	Motor	White	Aluminum, molded plastic (case)
⑨	Electric Cord with the ground	White	Wire (1 m/39")
⑩	Drive Belt	Green	3-layer structure of steel wires, plastic and fiber
⑪	Antenna	White	Wire

Product View and Specifications

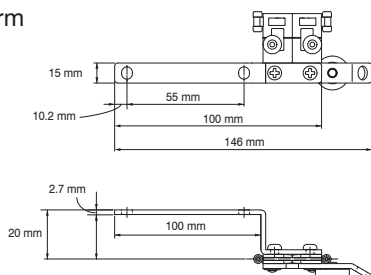


Parts Name	Specification of NBT72TS-1.2/14	Specification of NBT360S-75/20
Rated power voltage	AC 100 to 230 V	AC 100 to 230 V
Rated power frequency	50/60 Hz	50/60 Hz
Power Rated	13 W	75 W
Operating voltage	230 V	230 V
Degree of Protection	IP20	IP40
Power rating	0.12 A	0.34 A
Operating speed	14 cm/s	20 cm/s
Rated Torque	1.2 N.m	1.2 N.m
Weight Capacity	50 Kg	50 Kg
Maximum width	30 Feet	30 Feet
Maximum Height	12 Feet	12 Feet
Ambient temperature	0 to 40°C (non-condensing)	0 to 40°C (non-condensing)
Time rating	4 min. (continuous operation)	4 min. (continuous operation)
Noise level	35 dB (in default motor speed)	40 dB (in default motor speed)

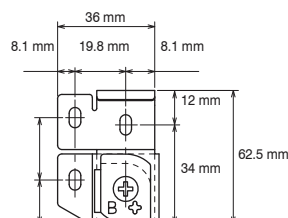


Parts Size

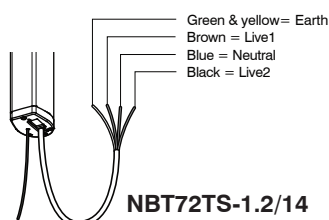
Pilot Roller with Arm



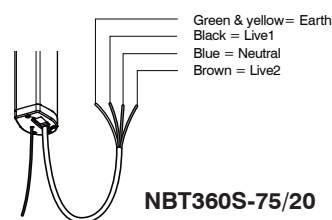
Ceiling Single Bracket M



Basic Wiring and Connecting Diagram

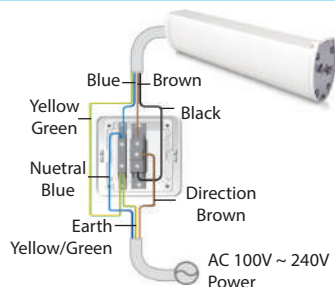


Note that the method of connecting the product to the power line differs depending upon the type of switch used.



When using a dry contact (no-voltage) switch *Power line 3-core type

Switch Operation



A. Double-button refundable switch mode:

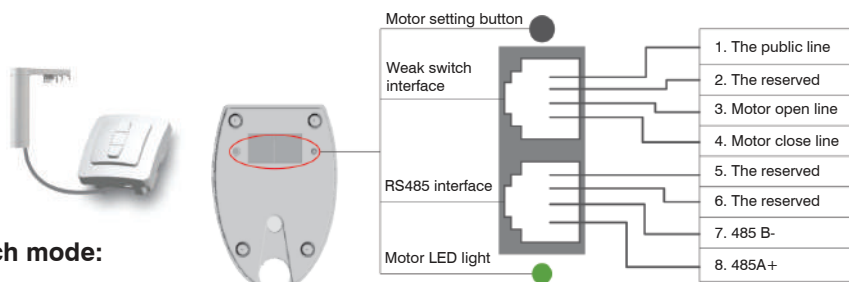
- ① + ③ - control motor open or stop;
- ① + ④ - Control motor close or stop.

B. Double - button can not rebound switch mode:

- ① + ③ - Control motor open or stop;
- ① + ④ - Control motor close or stop.

Weak electric Switch connection method of curtain motor

The specific operation on the back as shown in the <weak electric switch mode selection> action bar



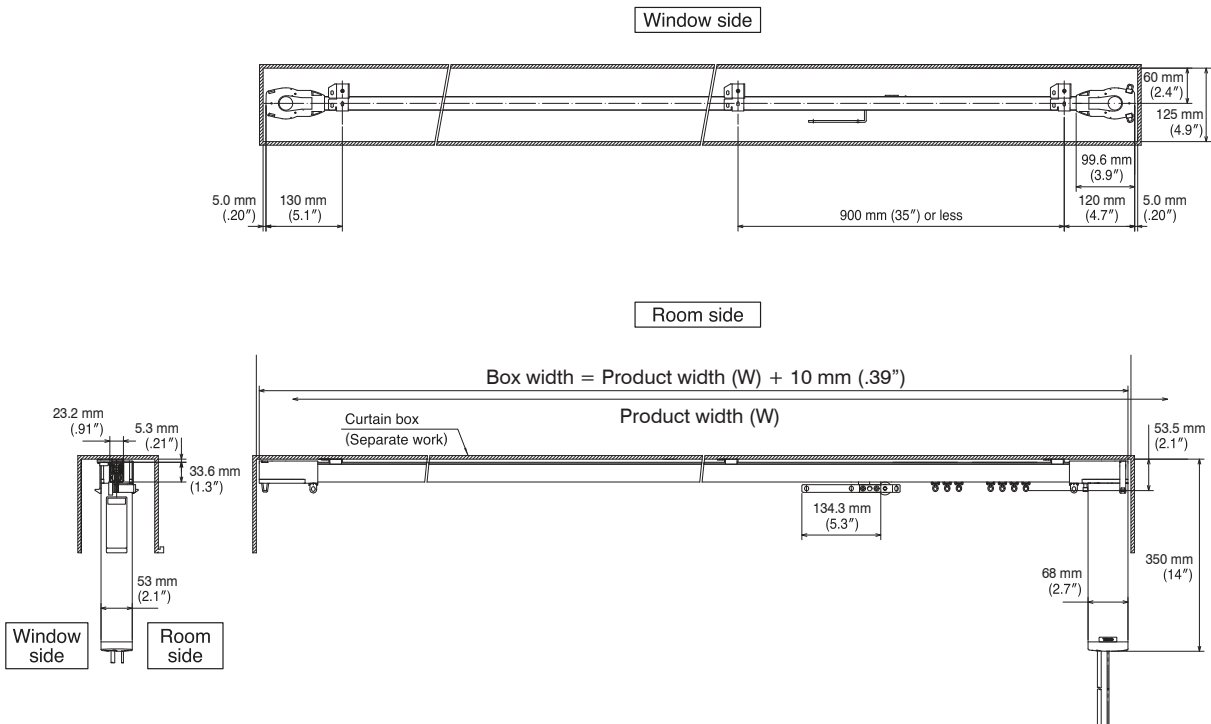
C. Single - button cyclic switch mode :

- ① + ③ - Control motor open motor close- motor stop.

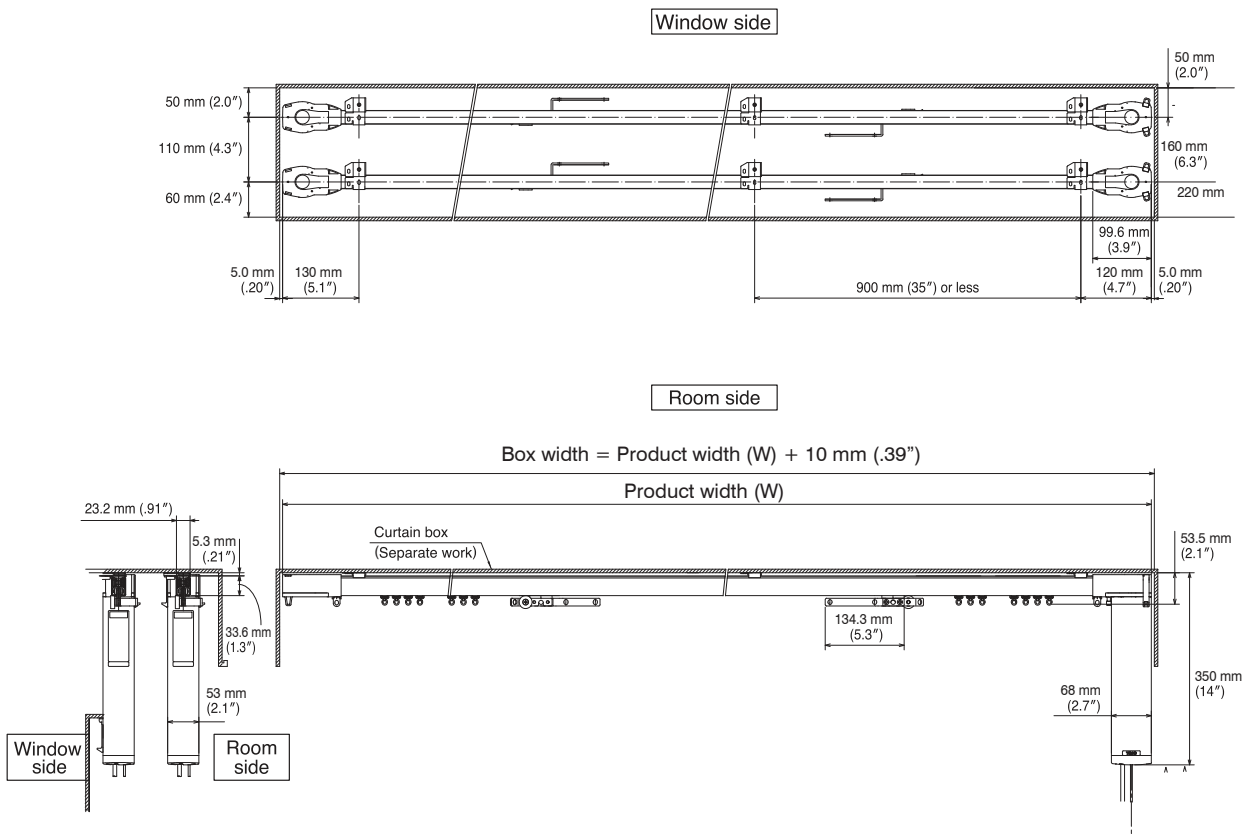
NBT CURTAIN MOTOR (Automation)

Installation Dimensions and Diagram (NBT72TS - 1.2/14)

One-way draw: ceiling single attachment

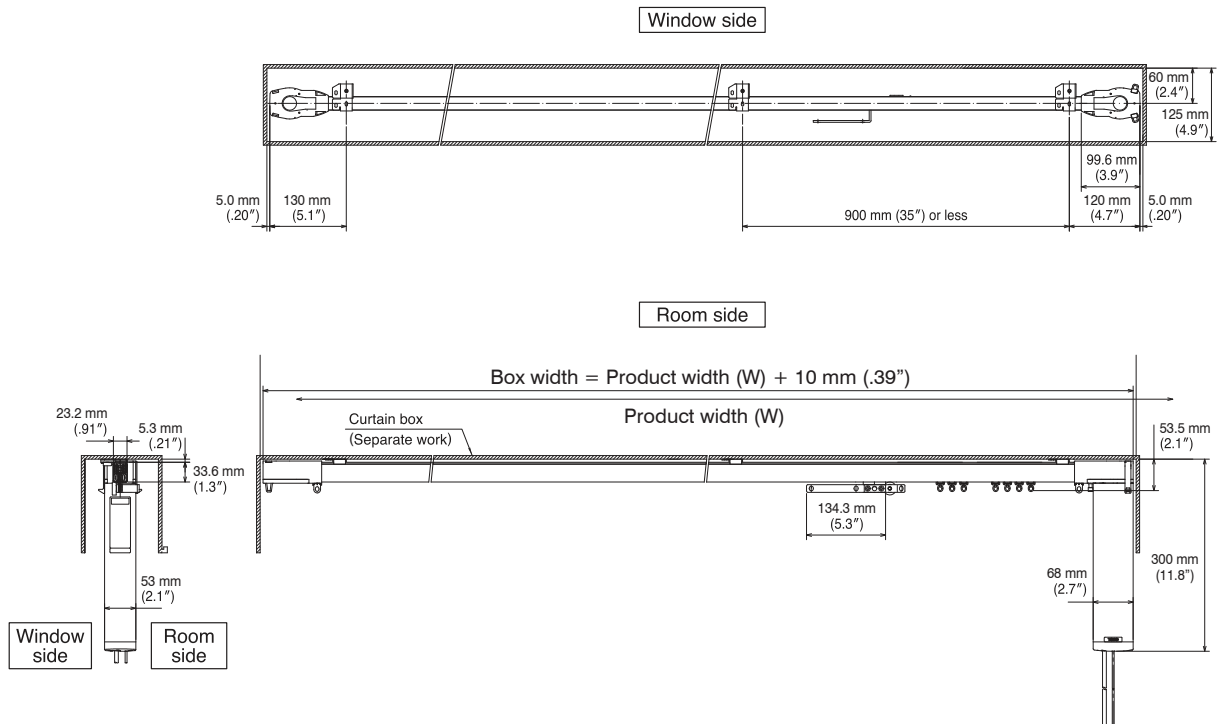


Two-way draw: ceiling double attachment



Installation Dimensions and Diagram (NBT360S-75/20)

One-way draw: ceiling single attachment



Two-way draw: ceiling double attachment

